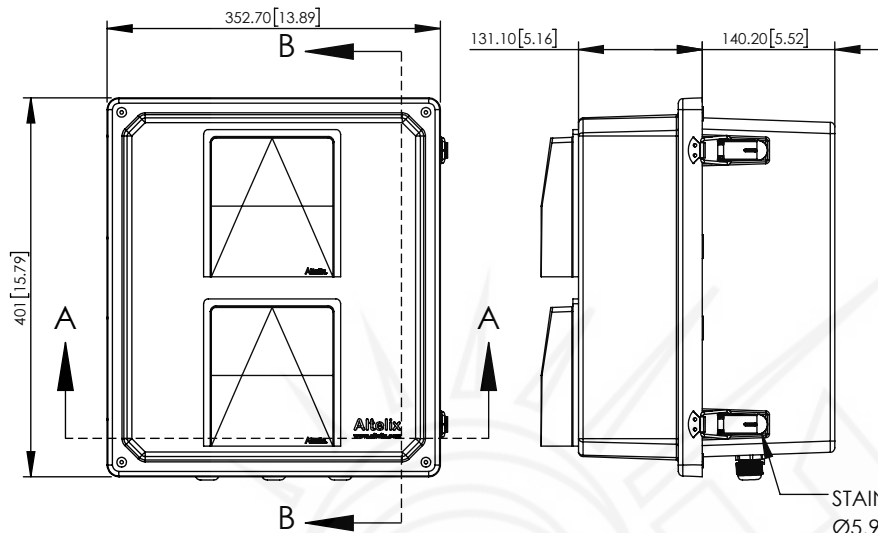
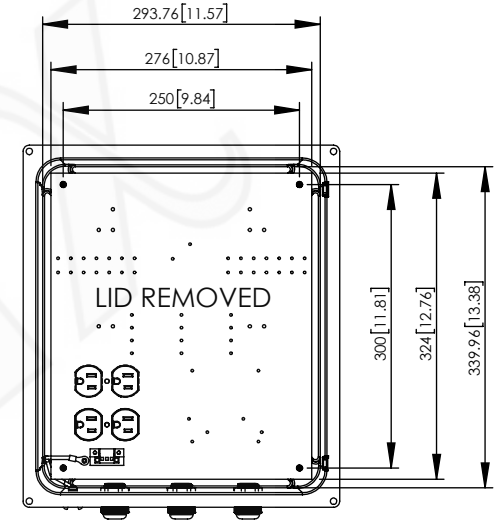
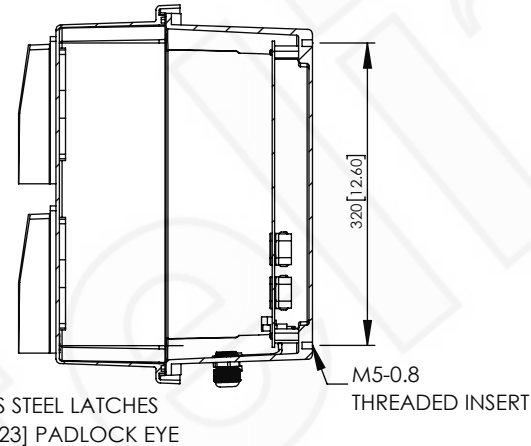


REV	DATE	DESCRIPTION
A	08/31/23	INITIAL RELEASE

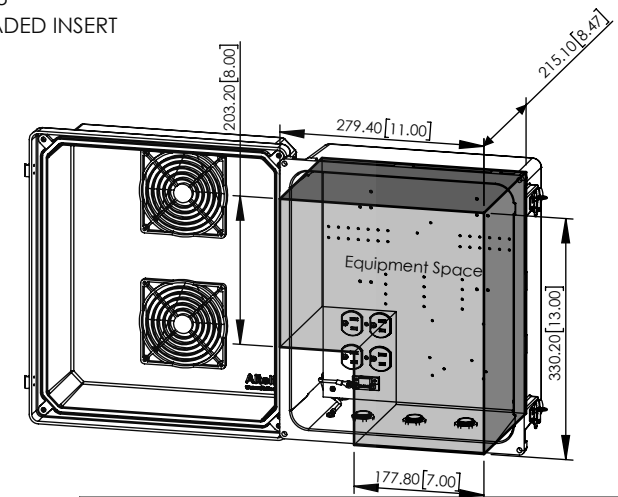
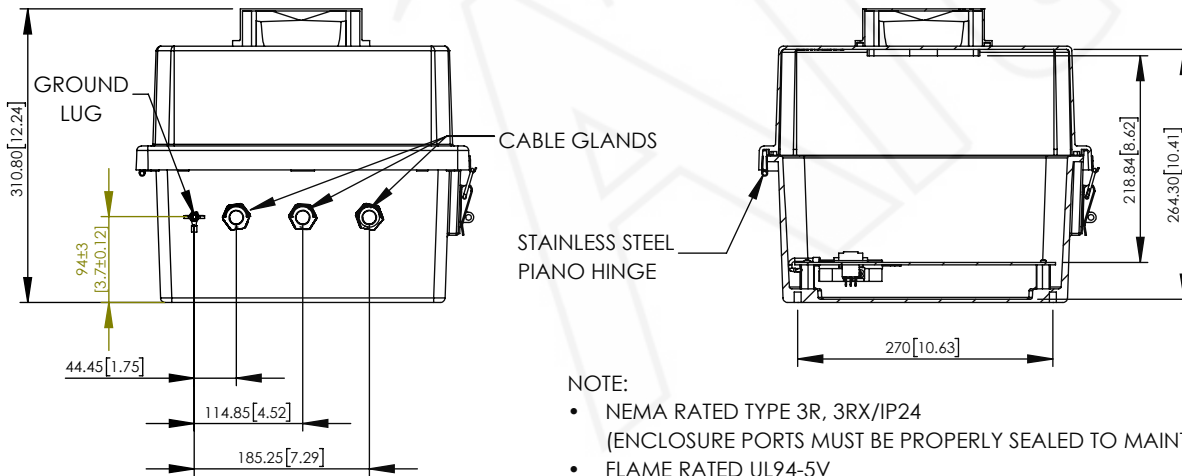
THE INFORMATION CONTAINED IN THIS DRAWING IS THE SOLE PROPERTY OF ALTELIX LLC. ANY REPRODUCTION IN PART OR WHOLE WITHOUT THE WRITTEN PERMISSION OF ALTELIX LLC IS PROHIBITED. ALL SPECIFICATIONS SUBJECT TO CHANGE WITHOUT NOTICE. (C) 2017 ALTELIX LLC.



SECTION B-B



SECTION A-A



NOTE:

- NEMA RATED TYPE 3R, 3RX/IP24
(ENCLOSURE PORTS MUST BE PROPERLY SEALED TO MAINTAIN NEMA RATING)
- FLAME RATED UL94-5V

NO.	DESCRIPTION	MATERIAL	FINISH	QTY.
8	-	-	-	-
7	-	-	-	-
6	-	-	-	-
5	-	-	-	-
4	-	-	-	-
3	-	-	-	-
2	-	-	-	-
1	NEMA ENCLOSURE	FRP	-	1

UNLESS OTHERWISE SPECIFIED:
DIMENSIONS ARE IN MILLIMETERS.
DIMENSIONS IN [] ARE IN INCHES AND
ARE FOR CUSTOMER REFERENCE ONLY.

TOLERANCES FOR MILLIMETERS:
0.5-8mm ± 0.20mm
8-30mm ± 0.40mm
30-120mm ± 0.50mm

TASK	NAME	DATE
DRAWN BY	W. Burns	08/31/23
CHECKED	N. Colucci	9/6/23
APPROVED	-	-

Altelix
www.altelix.com

1201 Clint Moore Road
Boca Raton, FL 33487
TEL: 561-660-WIFI

PART DESCRIPTION			
14 X 12 X 10 VENTED NEMA ENCLOSURE WITH 120VAC			
PART NUMBER		NF141210VA1	
DRAWING NUMBER		DRW-141210VA1	
SCALE:	1:8	REV:	A
		SHEET 1 OF 1	