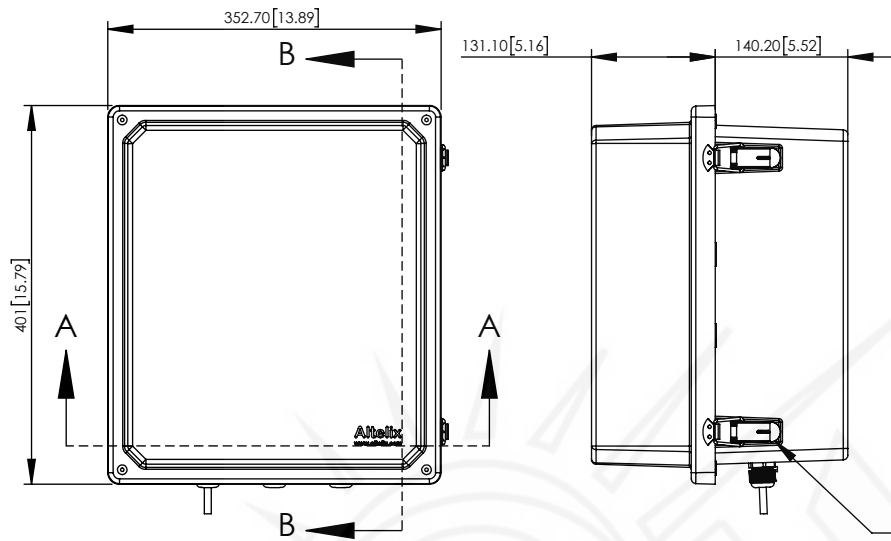
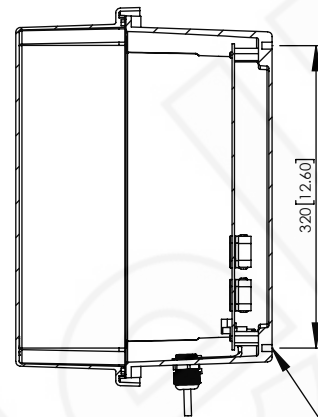


REV	DATE	DESCRIPTION
A	08/24/23	INITIAL RELEASE

THE INFORMATION CONTAINED IN THIS DRAWING IS THE SOLE PROPERTY OF ALTELIX LLC. ANY REPRODUCTION IN PART OR WHOLE WITHOUT THE WRITTEN PERMISSION OF ALTELIX LLC IS PROHIBITED. ALL SPECIFICATIONS SUBJECT TO CHANGE WITHOUT NOTICE. (C) 2017 ALTELIX LLC.



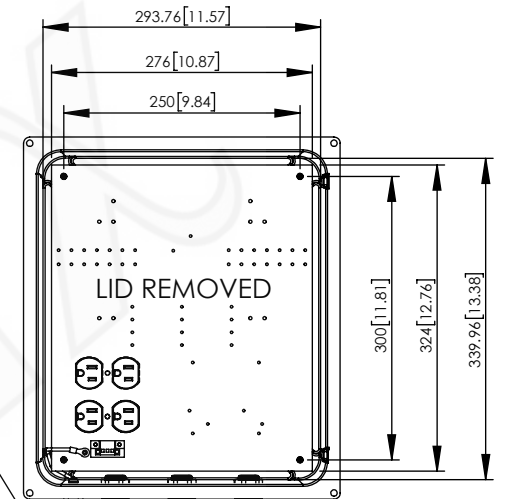
SECTION B-B



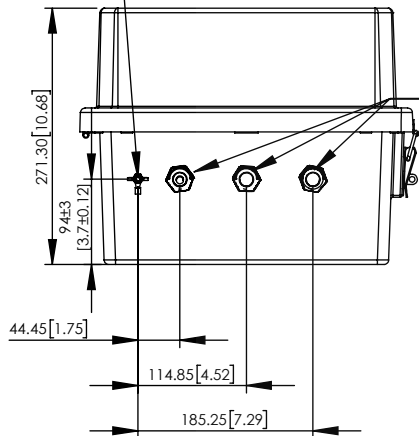
POWER CORD

M5-0.8
THREADED INSERT

STAINLESS STEEL LATCHES
Ø5.96 [0.23] PADLOCK EYE



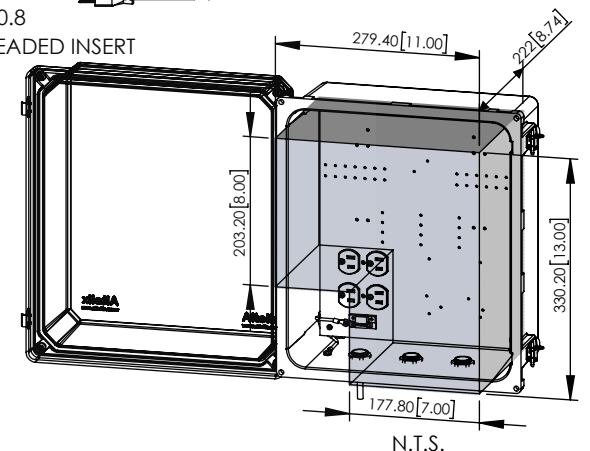
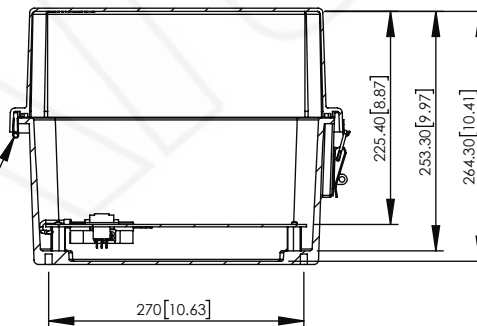
GROUND LUG



CABLE GLANDS

STAINLESS STEEL
PIANO HINGE

SECTION A-A



N.T.S.

NOTE:

- NEMA RATED TYPE 3R, 3RX/IP24
(ENCLOSURE PORTS MUST BE PROPERLY SEALED TO MAINTAIN NEMA RATING)
- FLAME RATED UL94-5V

Altelix
www.altelix.com

1201 Clint Moore Road
Boca Raton, FL 33487
TEL: 561-660-WIFI

NO.	DESCRIPTION	MATERIAL	FINISH	QTY.
8	-	-	-	-
7	-	-	-	-
6	-	-	-	-
5	-	-	-	-
4	-	-	-	-
3	-	-	-	-
2	-	-	-	-
1	NEMA ENCLOSURE	FRP	-	1

UNLESS OTHERWISE SPECIFIED:
DIMENSIONS ARE IN MILLIMETERS.
DIMENSIONS IN [] ARE IN INCHES AND
ARE FOR CUSTOMER REFERENCE ONLY.

TOLERANCES FOR MILLIMETERS:
0.5-8mm ± 0.20mm
8-30mm ± 0.40mm
30-120mm ± 0.50mm

TASK	NAME	DATE
DRAWN BY	W. Burns	08/24/23
CHECKED	N. Colucci	9/6/23
APPROVED	-	-

PART DESCRIPTION		
14 X 12 X 10 NEMA ENCLOSURE WITH 120VAC AND POWER CORD		
PART NUMBER	NF141210A1C	
DRAWING NUMBER	DRW-NF141210A1C	
SCALE:	1:8	REV: A
		SHEET 1 OF 1