



HGW-2402A-PSE

24x 10/100/1000Base-Tx & 2x 1000Base-X SFP
Industrial Switch with 480W of PoE+ power

The HGW-2402A-PSE is a 24 port Gigabit Ethernet 10/100/1000Base-Tx and 2 port 1000Base-X non-managed Smart Industrial Ethernet PoE PSE Switch providing PoE+ 30W per port power, with a total power budget of 480W, hardened for extreme operating temperatures: -40 to +75 Celsius. Industrial Switches are housed in IP40 rated rugged metal housings designed to operate in difficult conditions, including mechanically and electrically extreme environments. All Industrial switches have strong surge protection (4kV~8kV) per port, depending on models and strict compliance with IEC and EN standards for industrial grade equipment.

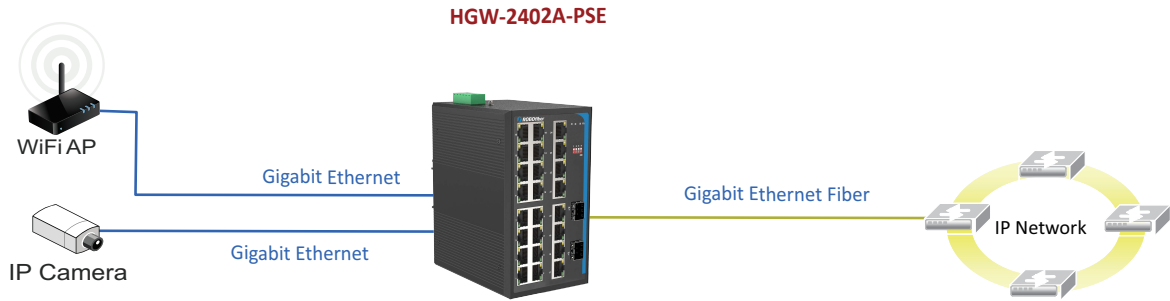
Features

- DC power input block 48-56V
- Extreme operating temperature: -40 to +75 Celsius
- Rugged IP40 rated metal casing with DIN rail bracket
- Store and Forward switching mechanism
- Reversed power polarity protection
- Auto-Negotiation & Auto MDI/MDI-X on every RJ45 port
- Supports 6kV surge protection per port on all TP ports for PoE models
- Supports IEEE 802.1Q Tag VLAN pass thru
- Redundant DC power inputs every model
- 480W total PoE power budget: 30W 802.3af/at per port
- Direct DIP sw settings for LAN extension, QoS, port VLAN, PoE watchdog

Specifications

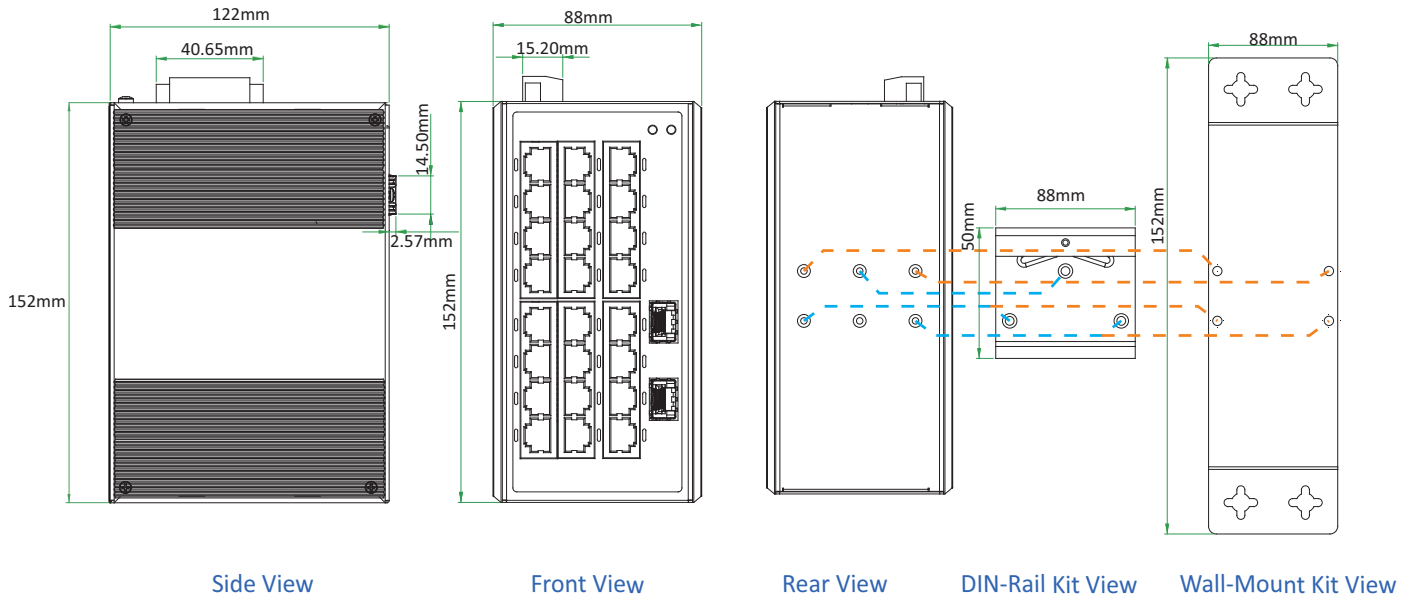
IEEE Standard	IEEE 802.3 10Base-T Ethernet IEEE 802.3u 100Base-TX and 100Base-FX Fast Ethernet IEEE 802.3ab 1000Base-T and 1000Base-X Gigabit Eth. IEEE 802.3x Flow Control and Back Pressure	Operating Humidity	5% to 95% (Non-condensing)
Switch Architecture	Back-plane (Switching Fabric): 50 Gbps	Storage Temperature	-40 ~ 85°C
Data Processing	Store and Forward	Housing	Rugged Metal, IP40 Protection
Flow Control	IEEE 802.3x flow control, back pressure flow control	Dimensions	152 x 88 x 122mm (D x W x H)
Provides Broadcast Storm Protection	Present	Weight	1.25kg
MAC Address Table	8K	Installation Mounting	DIN Rail mounting or wall mounting
Packet Buffer Size	2MB	EMI	FCC Part 15 Subpart B Class A, CE EN 55022 Class A EN61000-6-4 – Emission for industrial environment
Ports	24 x RJ-45 2 x 1000Base-X SFP slot 10/100/1000Base-TX auto nego a on speed, Auto MDI/MDI-X func on, Full/Half duplex	EMS	EN61000-6-2 – Immunity for Industrial environment EN61000-4-2 (ESD) Level 3, Criteria B EN61000-4-3 (RS) Level 3, Criteria A EN61000-4-4 (Burst) Level 3, Criteria A EN61000-4-5 (Surge) Level 3, Criteria B EN61000-4-6 (CS) Level 3, Criteria A EN61000-4-8 (Magnetic Field) Level 3, Criteria A
Network Cable	10Base-T: 2-pair UTP/STP Cat.5 cable 100Base-TX: 2-pair UTP/STP Cat. 5 cable 1000Base-T: 4-pair UTP/STP Cat. 5e cable EIA/TIA-568 100-ohm (100m)	Traffic control	NEMA-TS2
Protocols	CSMA/CD	Rail Traffic	EN50121-4
LED	Per unit: PWR (Green) LNK/ACT (Green - Fiber port status and activity) Per port: Link/Active (Green), Speed/100 (Yellow)	Shock	IEC 60068-2-27
Reverse Polarity Protection	Present	Freefall	IEC 60068-2-32
Overload Current Protection	Present	Vibration	IEC 60068-2-6
Power Supply	Redundant Dual DC48V (48~56VDC) Input power (Removable Terminal Block)	MTBF	120,000Hrs
PoE Specs	PoE+ PSE device: IEEE 802.3af/at, up to 30W per port 480W total PoE budget	Warranty	3 years
Power Consumption	<500W (at full PSE capacity)		
Alarm Relay Contact	Relay outputs with current carrying capacity of 1 A @24VDC, NC		
Removable Terminal Block	Provide 2 Redundant power, Alarm relay contact, 6 Pin		
Operating Temperature	-40 ~ 75°C		

Application



HGW-2402A-PSE Gigabit Ethernet Switch Application

Dimensions



Ordering Information

Model Name	Description
HGW-2402A-PSE	24x 10/100/1000Base-Tx & 2x 1000Base-X SFP Non-managed Industrial Switch, 480W of PoE PSE, Extreme Temp. (-40~75 Celsius)