

Connectivity.Assured

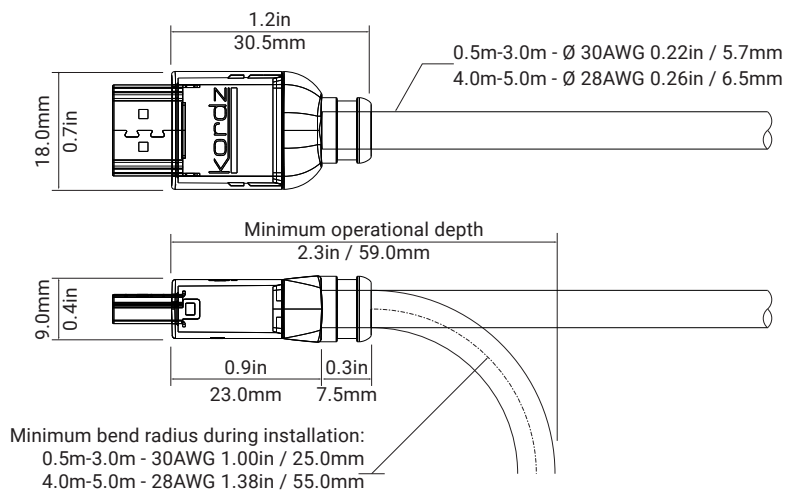
PRO³ Passive 18Gbps HDMI Cable

The Kordz PRO³ series HDMI Cable is engineered for the professional AV integrator to make installations easier. This is achieved through a combination of a lightweight, small form-factor connector assembly, gold-plated 1kg retention HDMI connectors and a highly flexible fire-rated cable. This latest update of the PRO series HDMI cable also reduces the connector footprint to 65% of the previous iteration, and performance is upgraded to fully support 18Gbps across all lengths. Available in lengths from 0.5m to 5m, the use of high quality materials and efficient production processes makes the PRO³ HDMI Cable your most reliable choice for HDMI connectivity.

- High Speed with Ethernet HDMI cable.
- Supports 2160p (4K/60 4:4:4) / 4320p (8K/30 4:2:0) on all lengths.
- Patented soldering techniques for benchmark inter-terminal uniformity.
- Lightweight ABS connector assembly with folded gold-plated HDMI connector.
- 100% of units tested on the production line.
- UL CMG fire rated on all lengths.
- Lifetime warranty.
- **Licensed HDMI 2.0 Adopter company.**



Technical Specifications	
HDMI Certification	
HDMI Certification	0.5m - 5.0m Lengths
HDMI CTS (Certified Test Specification)	High Speed with Ethernet
Certified Data Rate	6.0Gbps, 17.82Gbps agg
Supported Data Rate	≥ 6.0Gbps, 17.82Gbps agg (4K UHD)
HDMI Clock	27-340MHz
Construction	
Primary Conductors	Solid 30-28AWG OFC, length dependent
Insulation	TMDS HDPE, Foamed-PE, length dependent
	4C + HEAC Pairs HDPE
Shielding	TDMS Pairs Al / Mylar, 125% coverage
	Overall AL/Mylar, 125% coverage + Al-Mg alloy braid, min 85% coverage
Cable Jacket	UL CMG fire-rated PVC composite materials
HDMI Connector Shell	Premium gauge folded steel, 1μ" 24K Gold plated
HDMI Connector Pins	Solid OFC, 15μ" 24K Gold plated
Termination	High frequency soldering
Connector Assembly	ABS connector shell with PVC injection moulded boot and strain relief
Mechanical	
Cable Diameter	30AWG 5.7mm/0.22"Ø 28AWG 6.5mm/0.26"Ø
Mounting Depth	cable gauge dependent (see below)
Cable Bend Radius	cable gauge dependent (see below)
Retention Force (nom)	9.9N (1kg / 2.2lbs) +10/-5%



HDMI[®]
2.0 Adopter



kordz.com



kordz.com

PRO³ 4K60 18Gbps High Performance HDMI Cable

Application Specifications	
Video Format Support	Data rate per channel / Aggregate, TMDS Bandwidth
480i/p, 576i/p	≤ 540Mbps/1.62Gbps, 270MHz
720p/1080i	742.5Mbps/2.22Gbps, 371.25MHz
1080p - 8-bit RGB/YCbCr 4:4:4, 10/12-bit 4:2:2 or 4:2:0	
23.98/24/29.97/30	742.5Mbps/2.22Gbps, 371.25MHz
50/59.94/60	1.485Gbps/4.455Gbps, 742.5MHz
3D-24/30	1.485Gbps/4.455Gbps, 742.5MHz
3D-50/60	2.97Gbps/8.91Gbps, 1.485GHz
1080p - 10/12/16-bit RGB/YCbCr 4:4:4	
50/59.94/60fps	1.86-2.97Gbps/5.57-8.91Gbps, ≤ 1.485GHz
2160p (UHD/4K)	
HDMI 1.4b - 8-bit RGB/YCbCr 4:4:4, 10/12-bit 4:2:2 or 4:2:0	
4096x2160p/24 (SMPTE)	2.97Gbps/8.91Gbps, 1.485GHz
3840x2160p/23.98/24/29.97/30	2.97Gbps/8.91Gbps, 1.485GHz
HDMI 2.0 - 8-bit YCbCr 4:2:0	
2160p*/50/59.94/60	2.97Gbps/8.91Gbps, 1.485GHz
HDMI 2.0 Mode, 8-bit 4:4:4, 10/12-bit 4:2:2 or 16-bit 4:2:0	
2160p*/50/59.94/60-2D 9CEA-861-F	5.94Gbps/17.82Gbps, 2.97GHz
2160p*30-3D	5.94Gbps/17.82Gbps, 2.97GHz
VESA Graphics	Supports all as defined by HDMI 2.0 specification, up to 17.82Gbps
Color Spaces	RGB, YCbCr, xvYCC, Adobe sRGB, sYCC601, ITU-BT.2020
Audio Formats Support	PCM 2.0-7.1, DD/DTS HD 7.1, 3D Audio (10.2 22.2 30.2ch)
HDMI Audio Return Channel	Supported, system dependent

Commercial Range Comparison Features	ONE	PRO ³	PRS ³	R.3
1080p60 On all Lengths	✓	✓	✓	✓
4K24 4:2:2 HDR12	to 3m	✓	✓	✓
4K60 4:4:4 8 Bit	✗	✓	✓	✓
10.2 Gbps Guaranteed Bandwidth	to 3m	✓	✓	✓
18.0 Gbps Guaranteed Bandwidth	✗	✓	✓	✓
Connector Retention Force	<1kg	1kg	3kg	2kg
Dual wrap Al/Mylar + industry leading 90% coverage copper braid shield	✗	✗	✗	✓
DPL Labs Certified	✗	✗	✓	✓
Lifetime Warranty	✓	✓ ^②	✓ ^②	✓
Jacket Material - fire rating	UL CM/G ^④	UL CMG	UL CMG ^③	HF ^①

① Refers to Halogen Free Jacket Material ② 5 Year Warranty on All Active Cables ③ Available in LSZH and CMP for AOC Cables Only
 ④ PVC Jacket to 3m / UL CMG Fire rated 5m + 10m

Part No:	Length	AWG	Performance	Technology	Inner Ctn Qty	Master Ctn Qty
K26016-0050-CH	0.5m 1' 7"	30	17.82 Gbps	Passive	15	90
K26016-0100-CH	1.0m 3' 3"	30	17.82 Gbps	Passive	10	60
K26016-0150-CH	1.5m 4' 11"	30	17.82 Gbps	Passive	8	48
K26016-0200-CH	2.0m 6' 6"	30	17.82 Gbps	Passive	6	36
K26016-0300-CH	3.0m 9' 10"	30	17.82 Gbps	Passive	10	30
K26016-0400-CH	4.0m 13' 14"	28	17.82 Gbps	Passive	8	24
K26016-0500-CH	5.0m 16' 4"	28	17.82 Gbps	Passive	5	15

Kordz products are sold with a limited warranty as outlined at: www.kordz.com

©2020 Kordz International. All rights reserved. Kordz Connectivity, Assured & Kordz range logos are trademarks or registered trademarks of Kordz International in Hong Kong and in other countries. All other trademarks are the property of their respective owners.